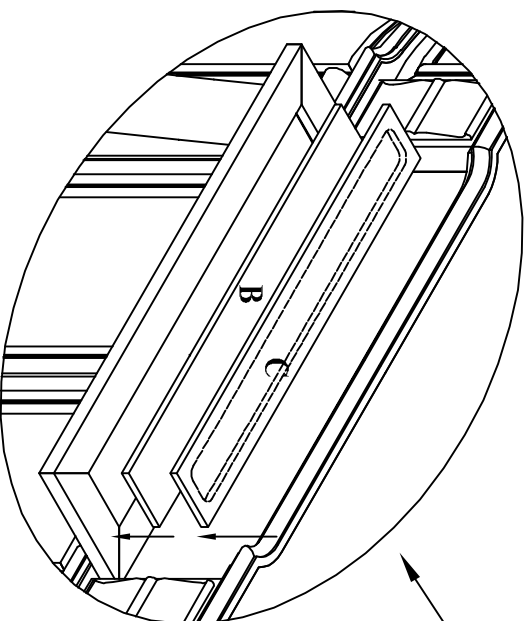
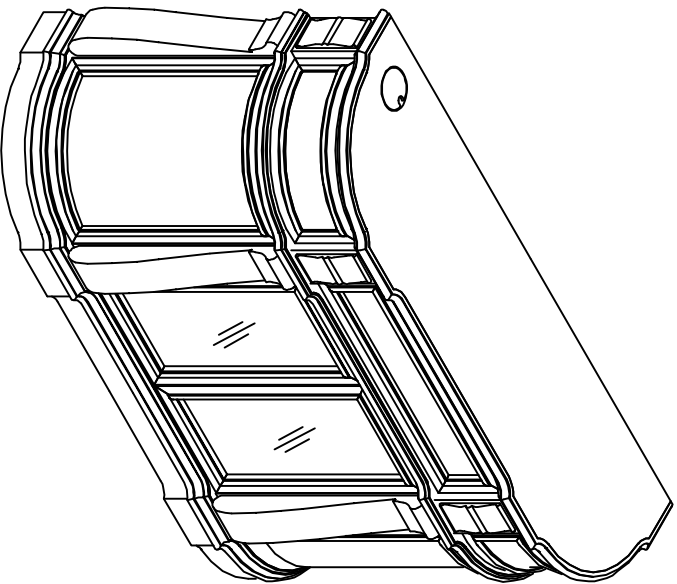
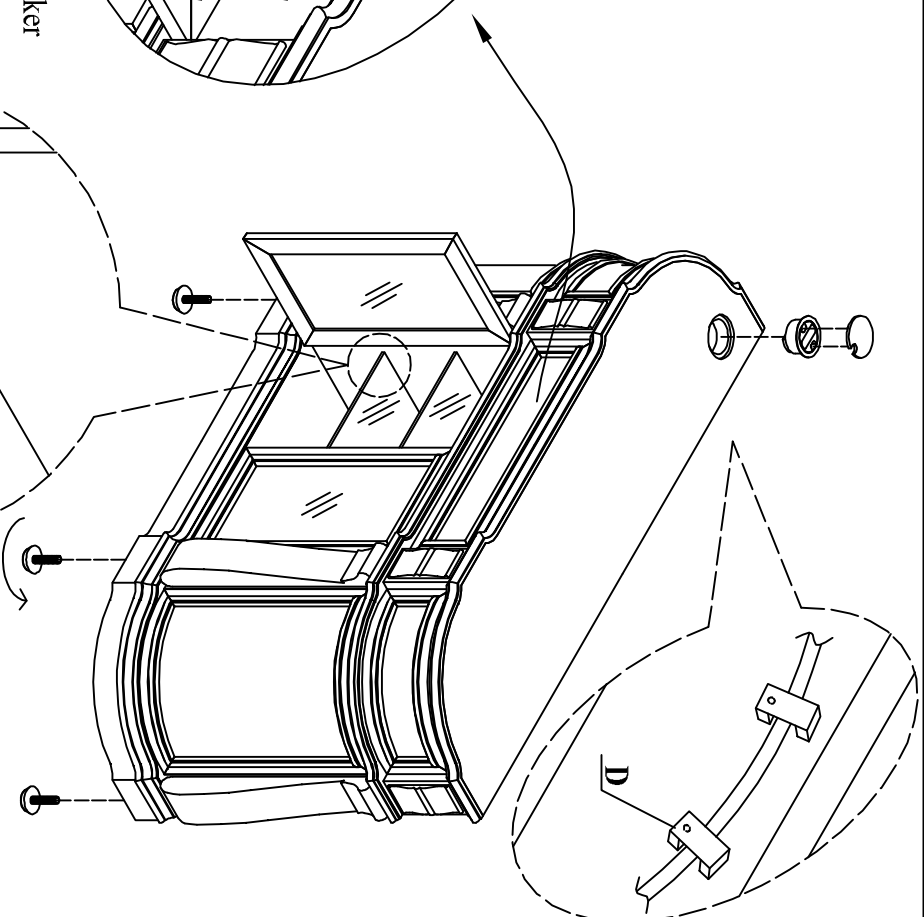


Assembly Instructions





SOR#860i Sorrento Designer Console



The wood drawer front and the speaker grill are interchangeable.



HARDWARE LIST

A		8PCS
B		1PC
C		1PC
D		4PCS